

*RADIO MODULE*

**MRX-008**

**UHF AM RECEIVER MODULE**

PRELIMINARY

**DATA SHEET**

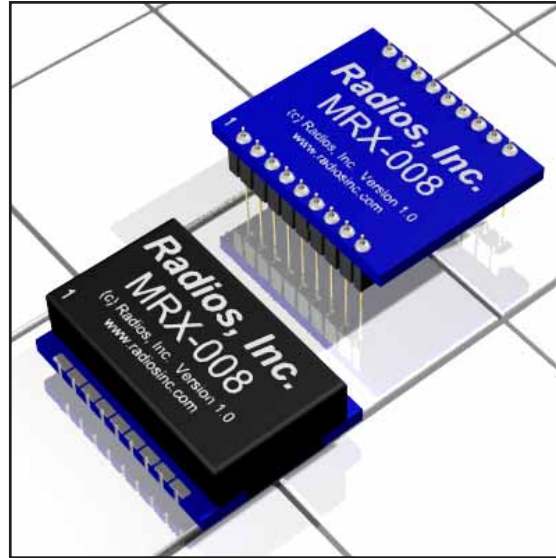
***Radios, Inc.***

October 30, 2007 Preliminary Data Sheet

# MRX-008

## UHF AM RECEIVER MODULE

The MRX-008 is an on-off keyed (OOK) high performance, ultra compact, long range receiver for remote wireless applications. The receiver operates at 315, 390, 418, and 433 MHz, and is primarily intended for use in part 15.231 systems. All tuning is automatic, the functions are fully integrated, and the receiver requires very few peripheral passive components. The MRX-008 can be easily integrated into other applications, which has the benefit of reducing production costs and improving time to market. The MRX-008 offers a robust and low-cost solution for high volume wireless applications.



Because the MRX-008 sweeps the internal local oscillator at rates greater than the baseband data rate, the RF bandwidth is broadened to a value equivalent to conventional superregenerative receivers. This allows the receiver to operate with less expensive LC transmitters. Additionally, post-detection data filtering is internal to the receiver. One of the two internal filter bandwidths must be externally selected. The MRX-008 is a well-designed receiver suitable for a variety of RF applications.

### Key Features

- Low cost
- Commonly employed FSK frequencies
- Wide operating temperature range
- Supports On-Off Keying
- Low power consumption
- Compact surface-mount packages
- Data rate up to 4.8kbps
- Small size
- No production tuning
- Fast enable time

### Typical Applications

- Remote controls
- Garage openers / Gate controls
- Keyless entry
- Lighting control
- Periodic data transfer
- Remote access
- Guard patrol / Lone worker protection
- Domestic / Commercial security
- Fire / Security alarms
- General wire elimination

### Contact Information

Radios, Inc.  
1408 Center Avenue  
Oostburg, WI 53070

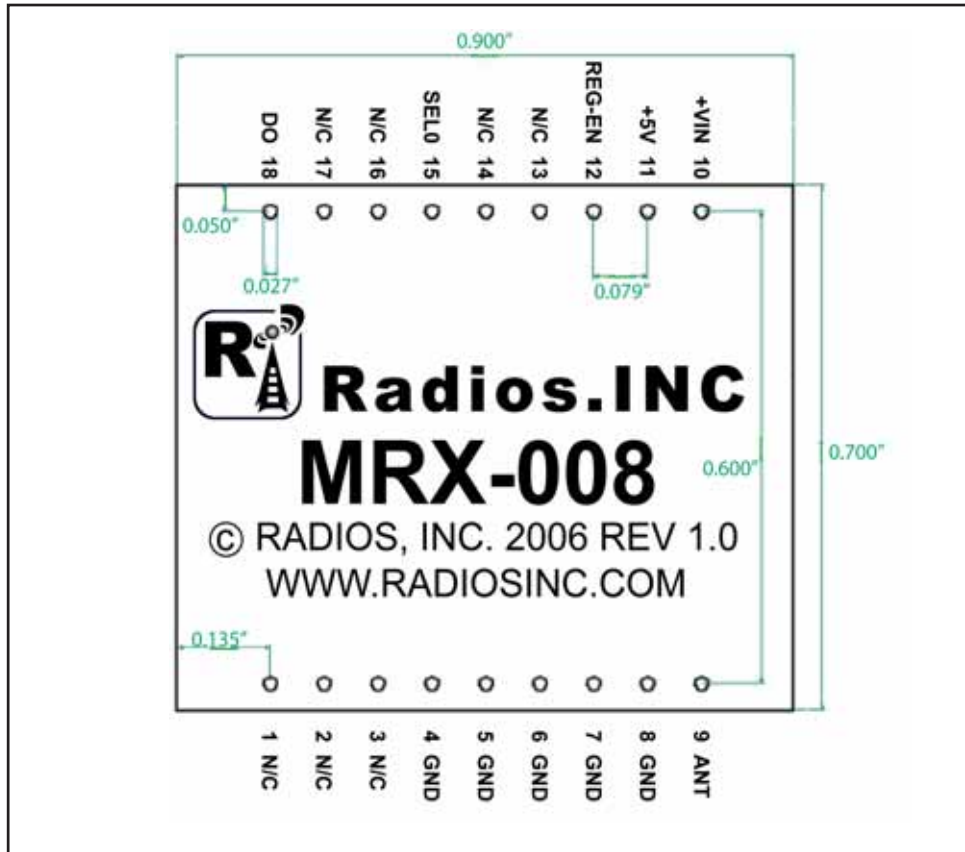
Phone: 920-564-6622  
Fax: 920-564-6630  
Email: sales@radiosinc.com

# MRX-008

## UHF AM RECEIVER MODULE

### Mechanical and Pin Diagram DIP Package

\* Note: Pinouts of surface mount and through-hole packages are mirrored



### DIP Package

#### Pin Description

| Pin Num | Pin Name | Description        | Pin Num | Pin Name | Description                   |
|---------|----------|--------------------|---------|----------|-------------------------------|
| Pin 1   | N/C      | No Connect         | Pin 10  | +VIN     | Positive Supply Pin (5-16V)   |
| Pin 2   | N/C      | No Connect         | Pin 11  | +5V      | Regulated Output (5V)         |
| Pin 3   | N/C      | No Connect         | Pin 12  | REG-EN   | Regulator Enable (2-VCC)      |
| Pin 4   | Gnd      | Ground             | Pin 13  | N/C      | No Connect                    |
| Pin 5   | Gnd      | Ground             | Pin 14  | N/C      | No Connect                    |
| Pin 6   | Gnd      | Ground             | Pin 15  | SEL0     | Bandwidth Select Bit 0 (0-5V) |
| Pin 7   | Gnd      | Ground             | Pin 16  | N/C      | No Connect                    |
| Pin 8   | Gnd      | Ground             | Pin 17  | N/C      | No Connect                    |
| Pin 9   | Ant      | RF Input (50 Ohms) | Pin 18  | DO       | Data Output (0-5V)            |

\*\* Verify pin configurations are correct before connecting power or resulting damage may occur.

# MRX-008

## UHF AM RECEIVER MODULE

### Mechanical and Pin Diagram Surface Mount Package

\* Note: Pinouts of surface mount and through-hole packages are mirrored



### Surface Mount Package

#### Pin Description

| Pin Num | Pin Name | Description        | Pin Num | Pin Name | Description                   |
|---------|----------|--------------------|---------|----------|-------------------------------|
| Pin 1   | Ant      | RF Input (50 Ohms) | Pin 10  | DO       | Data Output (0-5V)            |
| Pin 2   | Gnd      | Ground             | Pin 11  | N/C      | No Connect                    |
| Pin 3   | Gnd      | Ground             | Pin 12  | N/C      | No Connect                    |
| Pin 4   | Gnd      | Ground             | Pin 13  | SELO     | Bandwidth Select Bit 0 (0-5V) |
| Pin 5   | Gnd      | Ground             | Pin 14  | N/C      | No Connect                    |
| Pin 6   | Gnd      | Ground             | Pin 15  | N/C      | No Connect                    |
| Pin 7   | N/C      | No Connect         | Pin 16  | REG-EN   | Regulator Enable (2-VCC)      |
| Pin 8   | N/C      | No Connect         | Pin 17  | +5V      | Regulated Output (5V)         |
| Pin 9   | N/C      | No Connect         | Pin 18  | +VIN     | Positive Supply Pin (5-16V)   |

\*\* Verify pin configurations are correct before connecting power or resulting damage may occur.

# MRX-008

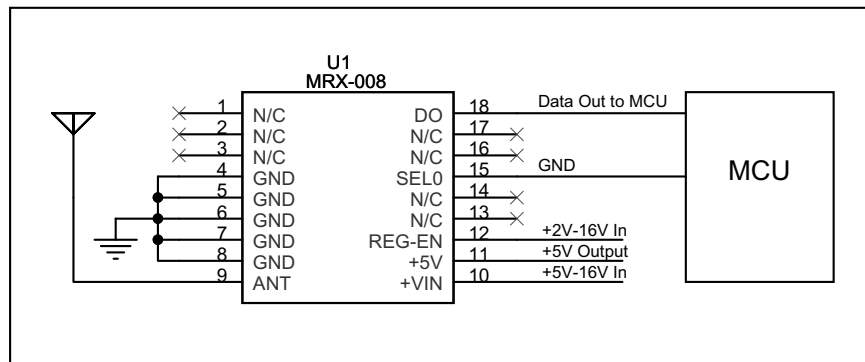
## UHF AM RECEIVER MODULE

| Pin Detail        |                   |          |   |
|-------------------|-------------------|----------|---|
| Pin Number        |                   | Pin Name | Description   |
| DIP               | Surface Mount     |          |   |
| 9                 | 1                 | Ant      | This is the receive RF input, internally ac-coupled. Connect this pin to the receive antenna.   |
| 4,5,6,7,8         | 2,3,4,5,6         | Gnd      | Ground  |
| 1,2,3,13,14,16,17 | 7,8,9,11,12,14,15 | N/C      | No Connect  |
| 18                | 10                | DO       | Output data pin. CMOS level compatible.   |
| 15                | 13                | SEL0     | Programs desired Demodulator Filter Bandwidth. This pin is internally pulled-up to VCC. See Table 1.  |
| 12                | 16                | REG-EN   | In a regulated module, this pin powers on the module with a 2-16V supply input. Pulling this pin low disables module. In a non-regulated module, this is a no connect.      |
| 11                | 17                | +5V      | In a regulated module, this is a 5V output from the onboard regulator when REG-EN is high (2-16V). In a non-regulated module, this is the 4.75V to 5.5V power supply input. |
| 10                | 18                | +VIN     | In a regulated module, this is the power supply pin of the module. Input 5-16V to power a regulated module. In a non-regulated module, this is a no connect.                |

| Table 1                               |                 |
|---------------------------------------|-----------------|
| Programmable Bandwidth Configurations |                 |
| SEL0                                  | Bandwidth (bps) |
| 0                                     | 2400            |
| 1                                     | 4800            |

*\*Note: 1=VCC, 0=GND*

### Typical Application Schematic



MRX-008, 433.92MHz

# MRX-008

## UHF AM RECEIVER MODULE

### Electrical Limits

| Sym                             | Parameters                     | Min  | Typ | Max | Unit | Notes |
|---------------------------------|--------------------------------|------|-----|-----|------|-------|
| <b>Absolute Maximum Ratings</b> |                                |      |     |     |      |       |
| VCC                             | Supply Voltage - Regulated     | 5    |     | 16  | V    |       |
|                                 | Supply Voltage - Not Regulated | 4.75 |     | 5.5 | V    |       |
|                                 | Storage Temperature Range      | 0    |     | 70  | °C   |       |
| V <sub>EN</sub>                 | Enable Input Voltage           | 0    |     | 16  | V    |       |
| <b>Operating Ratings</b>        |                                |      |     |     |      |       |
| V <sub>EN</sub>                 | Enable Input Voltage           | 0    |     | VCC | V    |       |
| TA                              | Ambient operating temperature  | 0    |     | 70  | °C   |       |

### Electrical Characteristics

This device is ESD sensitive. Do not operate or store near strong electrostatic fields. Use appropriate ESD precautions. All voltages are with respect to Ground.

| Parameters                       | Test Conditions                | Min    | Typ  | Max    | Unit  |
|----------------------------------|--------------------------------|--------|------|--------|-------|
| <b>Power Supply</b>              |                                |        |      |        |       |
| Operating Current                | 433.92 MHz                     |        | 10   |        | mA    |
| Quiescent Current                | REG-EN <= 0.4V (shutdown)      |        | 0.01 |        | µA    |
| Operating Voltage                | Regulated                      | 5      |      | 16     | V     |
|                                  | Not Regulated                  | 4.75   |      | 5.5    | V     |
| <b>RF/IF Section</b>             |                                |        |      |        |       |
| Receiver Sensitivity (Note 1, 3) | 315MHz, SEL0=0V                | -90    | -95  |        | dBm   |
|                                  | 433.92MHz, SEL0=0V             | -90    | -95  |        | dBm   |
| IF Bandwidth (Note 3)            | 315MHz                         |        | 0.8  |        | MHz   |
|                                  | 433.92MHz                      |        | 1.1  |        | MHz   |
| Receive Data Rate                |                                | 0.1    |      | 4.8    | kbps  |
| RF Input Range                   |                                | 300    |      | 440    | MHz   |
| Maximum Receiver Input           | Rs = 50Ω                       |        | -20  |        | dBm   |
| Spurious Reverse Isolation       | ANT pin, Rs = 50Ω Note 2       |        | 30   |        | µVrms |
| AGC Attack / Decay ratio         | T(Attack) / T(Decay)           |        | 0.1  |        |       |
| Oscillator Turn-on Time          |                                |        | TBD  |        | s     |
| <b>Digital Section</b>           |                                |        |      |        |       |
| Output Current                   | DO pin, Push-Pull              |        | 10   |        | µA    |
| Output High Voltage              | DO pin, I <sub>out</sub> = 1µA | 0.9VCC |      |        | V     |
| Output Low Voltage               | DO pin, I <sub>out</sub> = 1µA |        |      | 0.1VCC | V     |
| Output Tr, Tf                    | DO pin, Cload=15pF             |        |      | 10     | µsec  |
| <b>Regulator Enable Input</b>    |                                |        |      |        |       |
| Input Low Voltage                | Regulator OFF                  |        |      | 0.6    | V     |
| Input High Voltage               | Regulator ON                   | 2.0    |      |        | V     |
| Enable Input Current             | REG-EN = 0.6V; Regulator OFF   |        | 0.01 |        | µA    |

# MRX-008

## UHF AM RECEIVER MODULE

### Electrical Characteristics - CONT.

**Note 1:** Sensitivity is defined as the average signal level measured at the input necessary to achieve  $10e-2$  Bit Error Rate (BER). The input signal is defined as a return-to-zero (RZ) waveform with 50% average duty cycle at a data rate of 2400bps. The RF input is assumed to be matched into 50 ohms.

**Note 2:** Spurious reverse isolation represents the spurious components which appear on the RF input (ANT) pin measured into 50 ohms with an input RF matching network.

**Note 3:** Sensitivity, a commonly specified Receiver parameter, provides an indication of the Receiver's input referred noise, generally input thermal noise. However, it is possible for a more sensitive receiver to exhibit range performance no better than that of a less sensitive receiver, if the "ether" noise is appreciably higher than the thermal noise. "Ether" noise refers to other interfering "noise" sources, such as FM radio stations, pagers, etc.

A better indicator of receiver range performance is usually given by its Selectivity, often stated as Intermediate Frequency (IF) or Radio Frequency (RF) bandwidth, depending on receiver topology. Selectivity is a measure of the rejection by the receiver of "ether" noise. More selective receivers will almost invariably provide better range. Only when the receiver selectivity is so high that most of the noise on the receiver input is actually thermal will the receiver demonstrate sensitivity-limited performance.

**Note 4:** Exceeding the absolute maximum ratings may damage the device.

**Note 5:** The device is not guaranteed to function outside its operating ratings.

PRELIMINARY

## **MRX-008**

---

### **UHF AM RECEIVER MODULE**

#### **Technical Support:**

Radios, Inc. is committed to providing its customers with excellent technical support and the resources necessary to assist them with their product development. All technical support is provided free of charge. Customers have several options to obtain assistance. First, any questions or concerns can be e-mailed to Radios, Inc. at [information@radiosinc.com](mailto:information@radiosinc.com). We monitor our e-mail daily, and will respond to all questions promptly. Additionally, to speak directly to a technical support representative, customers can call Radios, Inc. at 920-564-6622.

#### **Compliance:**

Embedded wireless modules are intended for use as component devices which require peripheral elements to operate. Radios, Inc.'s modules are intended to be used in products requiring compliance. They are, however, not pre-approved by the FCC or any other agency worldwide unless so stated. The user or customer understands that regulatory compliance may be required prior to the sale or operation of the module or development system, and agrees to abide by all laws governing the module's or development system's use in the country of operation.

The approval process of embedded wireless modules in the United States is relatively uncomplicated. The Federal Communications Commission (FCC) is the governing body in the US that specifies its requirements in the Code of Federal Regulations (CFR), Title 47. Title 47 consists of several volumes and it is necessary to first identify the correct section that applies to your application. These rules require that a device which intentionally creates RF emissions be FCC compliant; i.e., pre-tested for compliance and assigned an identification number. Radios, Inc. offers pre-screening at one of our affiliate test sites. Final certification is then accomplished by an independent test laboratory. After passing compliance testing, you will be issued a unique ID number which must be placed on each product manufactured.

Any questions dealing with interpretations of the rules relating to testing or compliance should be addressed to:

FCC  
Equipment Authorization Division  
Customer Service Branch, MN 1300F2  
7435 Oakland Mills Road  
Columbia, MD 21046



## **MRX-008**

---

### **UHF AM RECEIVER MODULE**

#### **Returns:**

Products may be returned directly to Radios, Inc. for evaluation. Returns, without exception, must have a valid RMA number attached. RMA numbers can be obtained by calling a customer service representative at Radios, Inc. If a product is found to be defective and is returned within 90 days of purchase, Radios, Inc. may repair or replace, at its option, said defective product. The warranty does not apply to any products which have been disassembled, modified or subjected to conditions exceeding the application specifications. Under no circumstances will Radios, Inc. be responsible for losses, financial or other, arising from the use or failure of a device in an application or for losses arising from failure to meet delivery requirements, other than the repair, replacement, or refund limited to the original product purchase price. No other warranties, express, implied, or statutory, including warranty of fitness for a particular purpose, apply.

#### **Product Warranty and Disclaimer Information:**

Radios, Inc. is dedicated to providing its customers with the best possible products, and is continually working on improving the quality and function of its entire product line. Therefore, Radios, Inc. reserves the right to make changes to the design, specifications, or manufacturing of its products without notice. The information contained in this data sheet is believed to be complete, accurate, and reliable as of the time of publication. Because product specifications are based on representative lot samples, however, values can vary from lot to lot and are not guaranteed. Radios, Inc. does not assume any liability or responsibility arising from the application or use of any product described herein, and makes no guarantee, warranty, or representation regarding the suitability or legality of any product for use in a specific application. Radios, Inc. does not assume any liability for any infringement of patents or other rights of third parties which may result from the use of its products. No product sold by Radios, Inc. is intended for use in a life critical application, or any application where the safety of property is at risk. The user assumes full and complete responsibility for any use of Radios, Inc.'s products in an application where the safety of life or property is at stake.

Radios, Inc., its suppliers, and its licensors shall in no event be liable for any damages arising from the use of or inability to use this product. This includes business interruption, loss of business information, or other losses that may arise from the use of this product. Some devices described in this publication are patented. Under no circumstances shall any user be conveyed any license or right to the use or ownership of these patents.

#### **Copyright:**

Radios Inc. reserves the right to all proprietary or commercial information contained in this data sheet. This data sheet is protected by copyright, and any unauthorized copying, reproduction, or dissemination is strictly prohibited without the prior written approval of Radios Inc.

# MRX-008

## UHF AM RECEIVER MODULE

### Editorial Information:

Last Updated (Date)  
October 30, 2007 PRELIMINARY

### Product Ordering Information:

MRX-008 - 433 D 600 SQ R A - B

